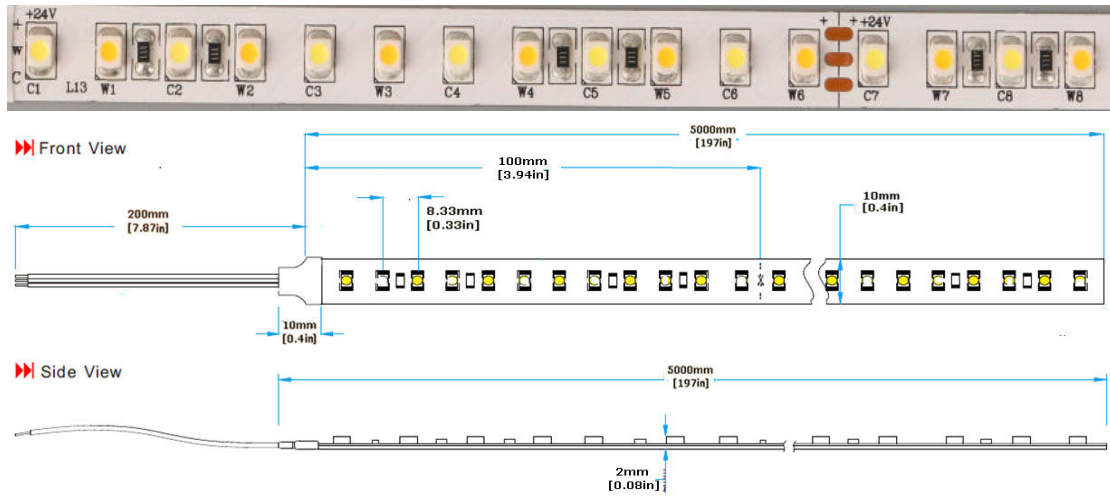


CCT-Tunable Series | 3528 LED | AX-6W12-24V WW-PW

- Premium & Plus Series using top quality material, such as Epistar chip, Intermax phosphor powder, ShinEtsu & Dow Corning glue, Heraeus 99.99% pure golden wire, pure copper etc.
- CCT-Tunable by controller getting specify and comfortable ambient.
- Decorating backlight and indirect lighting for showcase, shelf, cabinet, billboard, signage, hotel, garden, bridge, corridor, ceiling, stair, floor, cove, theatre, lift etc.



| Part No. | Dimension (L*W*H) | IP Rating | Lumen Flux ± 10% @CRI80&4500K | Light Eff. @CRI80&4500K | Lumen Flux ± 10% @CRI90&4500K | Lumen Flux ± 10% @CRI95&4500K |
|-------------------|-----------------------------------|---------------------|---------------------------------|-------------------------|--------------------------------|--------------------------------|
| AX-6W12-24V WW-PW | 5000*10*2mm [197*0.4*0.08in.] | IP20 [dry] | 1100lm/M [335lm/ft.] | 77lm/W | 980lm/M [299lm/ft.] | 980lm/M [299lm/ft.] |
| | 5000*10*2.5mm [197*0.4*0.1in.] | IP54 [damp] | 1100*95%lm/M [335*95%lm/ft.] | 77*95%lm/W | 980*95%lm/M [299*95%lm/ft.] | 980*95%lm/M [299*95%lm/ft.] |
| | 5000*12*4mm [197*0.48*0.16in.] | IP65 [wet] | 1100*95%lm/M [335*95%lm/ft.] | 77*95%lm/W | 980*95%lm/M [299*95%lm/ft.] | 980*95%lm/M [299*95%lm/ft.] |
| | 5000*12*4mm [197*0.48*0.16in.] | IP67 [wet] | 1100*95%lm/M [335*95%lm/ft.] | 77*95%lm/W | 980*95%lm/M [299*95%lm/ft.] | 980*95%lm/M [299*95%lm/ft.] |
| | 5000*12*4mm [197*0.48*0.16in.] | IP68 [wet] | 1100*95%lm/M [335*95%lm/ft.] | 77*95%lm/W | 980*95%lm/M [299*95%lm/ft.] | 980*95%lm/M [299*95%lm/ft.] |
| | 5000*10*5mm [197*0.4*0.2in.] | IP54 Plus [damp] | 1100*95%lm/M [335*95%lm/ft.] | 77*95%lm/W | 980*95%lm/M [299*95%lm/ft.] | 980*95%lm/M [299*95%lm/ft.] |
| | 5000*12*5mm [197*0.48*0.2in.] | IP67 Plus [wet] | 1100*95%lm/M [335*95%lm/ft.] | 77*95%lm/W | 980*95%lm/M [299*95%lm/ft.] | 980*95%lm/M [299*95%lm/ft.] |

| GENERAL PARAMETERS | | PHOTOELECTRIC PARAMETERS | |
|---------------------|---|--------------------------|--|
| Standard Length | 5M [16.4ft] (power fed on one side) | Power ± 10% | 14.4W/M [5.59W/ft.] @4500K |
| Min. Unit & LED QTY | 100mm [3.94in.] & 12 LEDs | Input Voltage | 24VDC |
| LED Type | SMD3528 white | LED Current | 28~32mA/LED |
| LED QTY | 120LED/M [36LED/ft.] | LED CCT & Wavelength | 2700K~6500K (CCT-Tunable) |
| PCB Type | 3oz white FPC, ENIG (Premium) & OSP (Plus) | SDCM | ErP / ANSI Norm, 3 step (Premium) & 5 step (Plus) |
| Operating Ambient | Ta: -20~45°C | CRI | Ra≥80&90&95 |
| Warranty | 2 years | Beam Angle | 120° |
| Lifespan | 50kh (L70B50@Tc<65°C, Tc is temperature of LED pin) | Dimming Method | PWM (dimnable driver like RF, Bluetooth, 0/1-10V, Triac, DALI, DMX, WIFI etc.) |
| Certification | CE, UL, RoHS | | |

Note 1: Luminous Flux for CCT 3000K is 5% higher, for CCT 3500/4000K is 8% higher, for 5000/6500K is 10% higher, compared with CCT 2700K.

Note 2: Transmittance for IP54/IP67/IP68, 2700/3000K is 95%, 3500/4000K is 90%, 5000/6500K is 80%; for IP65/IP54 Plus/IP67 Plus is 95%.

Note 3: Extra heat sink might be required for high power and brightness product, please refer to our suggestion.

Note 4: 3M 300LSE yellow adhesive tape, is standard configuration of Premium & Plus Series.

Note 5: Two ends of 200mm red/white silicon cable or waterproof connector kit base on IP rating, is standard configuration of Premium & Plus Series.

Note 6: Transparent reel and silvery ESD bag, are standard configuration of Premium & Plus Series.