

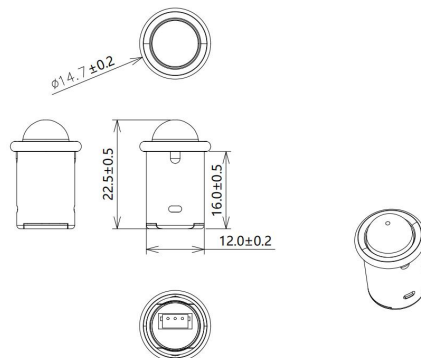


User Manual

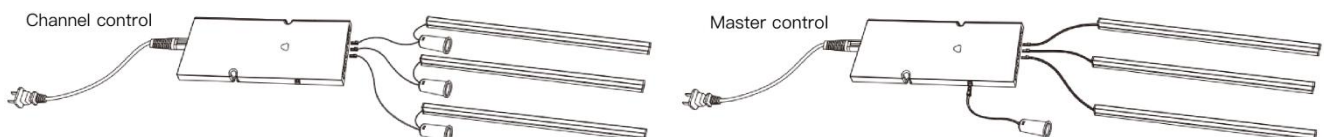
For **Endless Serial - PIR** Sensor Switch

Product Range: **DET-MOUV-PC01-PIR**

Dimension Diagram unit: mm



Wiring Diagram



Product information	
1. Product Category	<input checked="" type="checkbox"/> wired <input type="checkbox"/> wireless <input type="checkbox"/> other
2. Installation Method	<input checked="" type="checkbox"/> Hidden installation <input checked="" type="checkbox"/> Surface mount
3. Mounting Dimension	Hidden installation: Hole Size Ø12mm, Hole Depth 18mm.
4. Product Name	PIR Sensor Switch
5. Cable Length	2000mm
6. Function Description	When people come, the lights will be turned on. When people is gone, the lights will be turned off.
7. Control Mode	Master control / Channel control
8. Sensing Distance	0 - 4 meters
9. Sensing Angle	0-120°
10. Operating Voltage	12-24V
11. Operating Current	3A max.
12. Operating Temperature	-10°C-40°C
13. Operating Humidity	0%-85%RH
14. Shell Material	ABS
15. Warranty Period	2 years
16. Product Dimensions	14.7*14.7*22.5mm
17. Accessory	1pcs*base +2pcs*screws

Email contact: sjoly@axentled.com

Web: www.axentled.com