

---

# 20W COB LED DOWNLIGHTS SPECIFICATION



## Description:

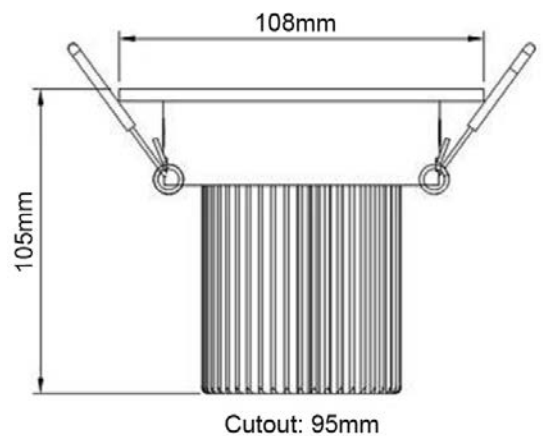
LED round recessed down lights are energy-efficient LED recessed retrofits designed to replace conventional halogen and compact fluorescent (CFL) lights. They are widely used in hospitality, as well as in commercial, and residential locales. WEDO's down lights come with reliable constant-current external drivers which guarantee reliable and excellent electrical performance.

## Applications:

1. Replacement for traditional recessed lights
2. Ceiling/Wall, Hotel, Walkway
3. Restaurant, Bar
4. Shelf Lighting, Display case,
5. Accent Lighting

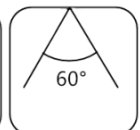
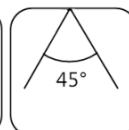
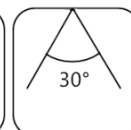
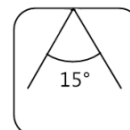


## Product Picture:



## Technical Parameters:

Model:			
Input Voltage	AC 180-240V		
LED Power	20 Watt		
Color Temperature	Cool White 6000-6500K	Neutral White 4000-4500	Warm White 2800-3300K
LED Chip Brand			
Lumen Output	2150LM	2050LM	1900LM
Beam Angle	15°, 30°, 45°, 60°		
CRI	>80		
IP Class	IP20 (Indoor Use Only)		
Dimension	Ø108*(H)105mm,		
Cutout Size	Ø95mm		
Installation:	Recessed Mounted		
Dim	Triac Dimmable		
Working Temp	40°C at Room Temp 25°C		
Ambient Temp	-40~50°C		
Certificate	CE RoHS,		
Warranty			



## Method of Installation:

- Cut a hole Ø95mm on the ceiling,
- Put the light in the hole
- Hold the light on the ceiling by springs.




---



---



---



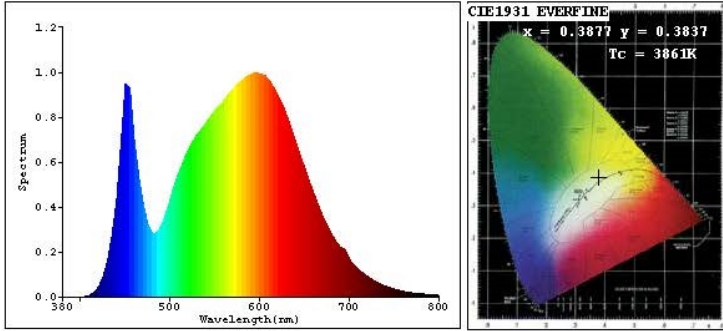
---



---

Spectrophotometer Test Report

Light Source Test Report



Color Parameters:

Chromaticity Coordinate:  $x=0.3877$   $y=0.3837$   $u'=0.2271$   $v'=0.5057$   
Tc=3861K Dominant WL:  $\lambda_d=579.0nm$  Purity=31.5% Centroid WL:  $574.0nm$   
Ratio: R=20.3% G=76.7% B=3.1% Peak WL:  $\lambda_p=595.0nm$  HWL:  $151.7nm$   
Render Index: Ra=83.3  
R1 =82 R2 =89 R3 =94 R4 =82 R5 =81 R6 =84 R7 =87  
R8 =67 R9 =15 R10=73 R11=80 R12=60 R13=83 R14=96 R15=77

Photo Parameters:

Flux: 2123.8 lm Fe: 6.5231 W Efficacy: 106.26 lm/W  
LEVEL: WHITE: ANSI\_4000K

Electrical Parameters:

Luminaire: U=223.4V I=0.1179A P=22.14W PF=0.9923

Instrument Status:  
Scan Range: 380.0nm-800.0nm Interval: 5.0nm[0]  $I_p=24575(G=4, D=48)$   
REF=10904(R=3)  $\%=-0.130\%$  PRT: 18.3 centigrade [34.0]

Product Type: Manufacturer:  
Number:110 Test Department:  
Temperature:25.3 deg Humidity:65.0%  
Test Operator:Huang Binglong Test Date:2015-12-29 08:55:07  
Software:V2.00.100 Instrument:PMS-80\_V1 (SN:1008053)

Typical Wiring Diagram:

