

LED PUCK LIGHT SPECIFICATION

QL-300-1W3-12V



PRODUCT FEATURES:



Input:



Power:



Finish:



Black

White

Silver

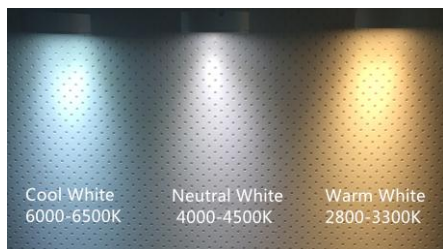
LED Chip:



CRI



Color Temperature:

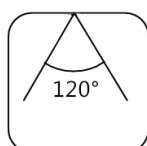


Dim:









Dimmable With 12V PWM Dimmer

Beam Angle:



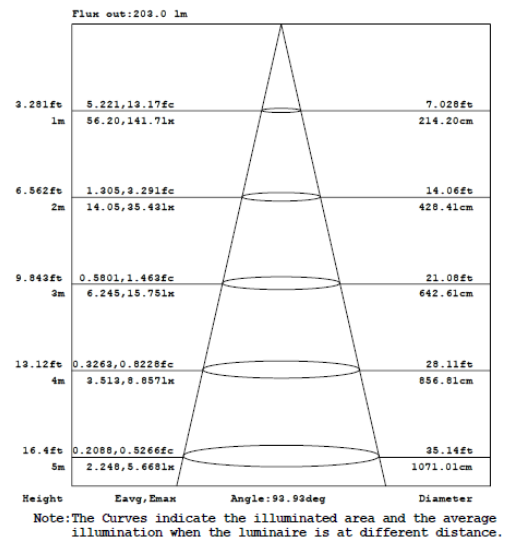
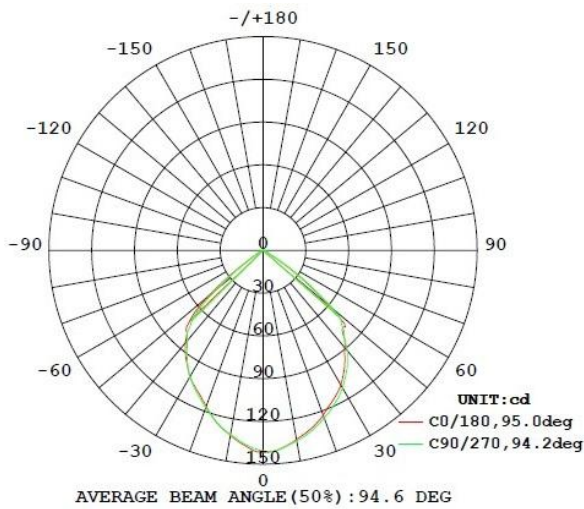
LUMEN OUTPUT:

LED CHIP BRAND	COLOR TEMPERATURE	LUMEN OUTPUT
	2800-3300K	240lm
	4000-4500K	250lm
	6000-6500K	270lm
	2800-3300K	210lm
	4000-4500K	220lm
	6000-6500K	240lm

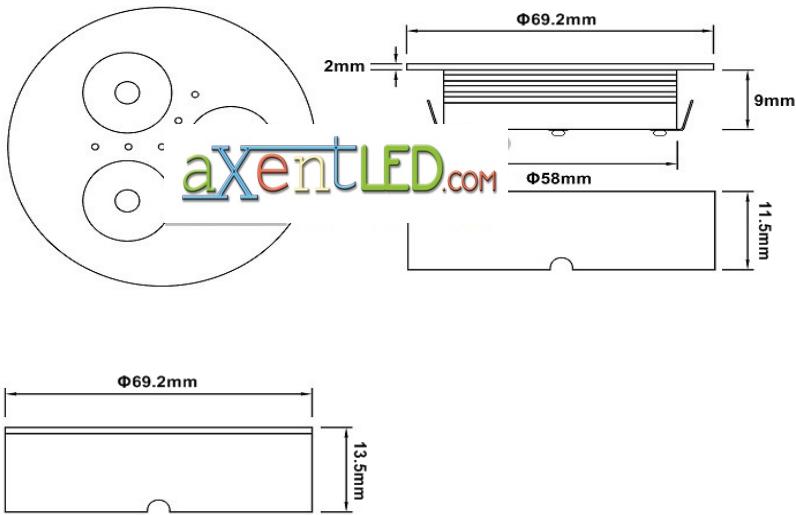
APPLICATIONS:

- Kitchen Lighting
- Furniture Lighting
- Display Case Lighting
- Jewelry Store, Museum, Wall Way
- Hotel, Restaurant, Entertainment Places, Accent Lighting

LIGHT DISTRIBUTION DIAGRAM 120 O



DIMENSION:



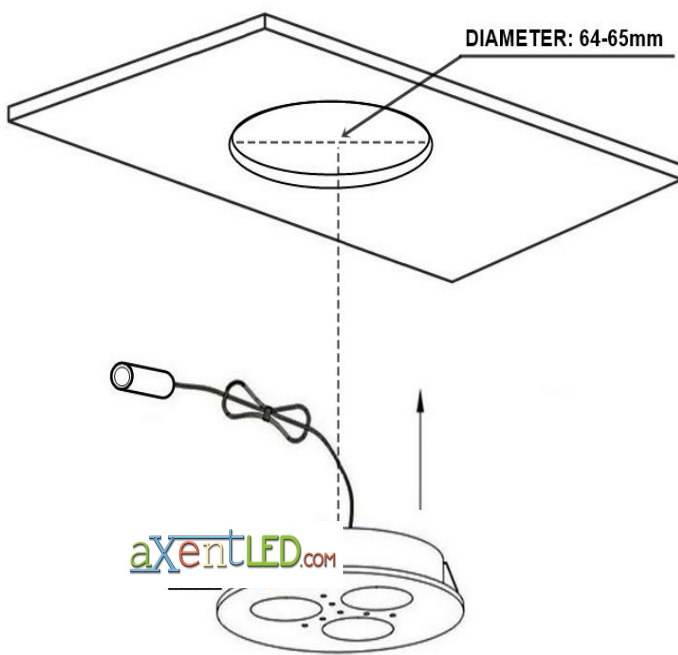
METHODE OF INSTALLATION:

1. RECESSED MOUNTED

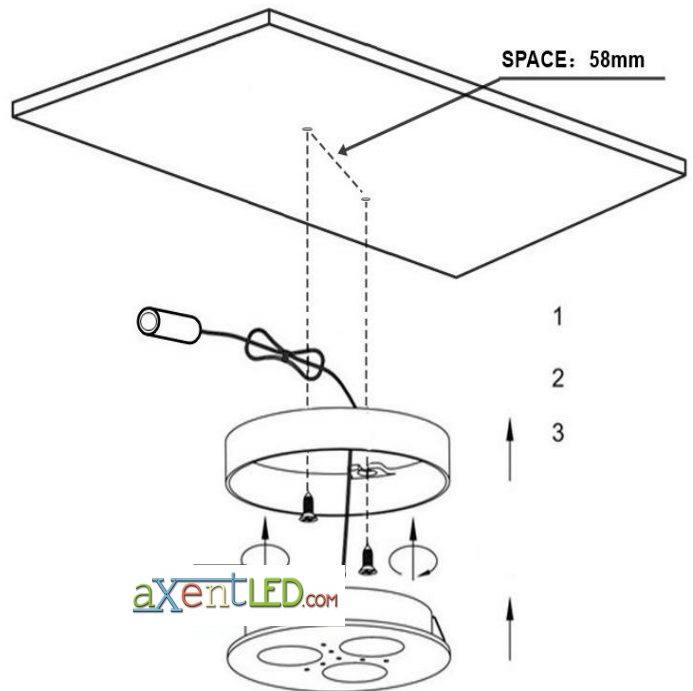
Cut a hole $\phi 64\text{-}65\text{mm}$ in the Puck, put the light in the hole, the light can be fixed by the spring

2. SURFACE MOUNTED

Take out the ring, fix the ring with two screws on the Puck, and put the inner part back into the ring.

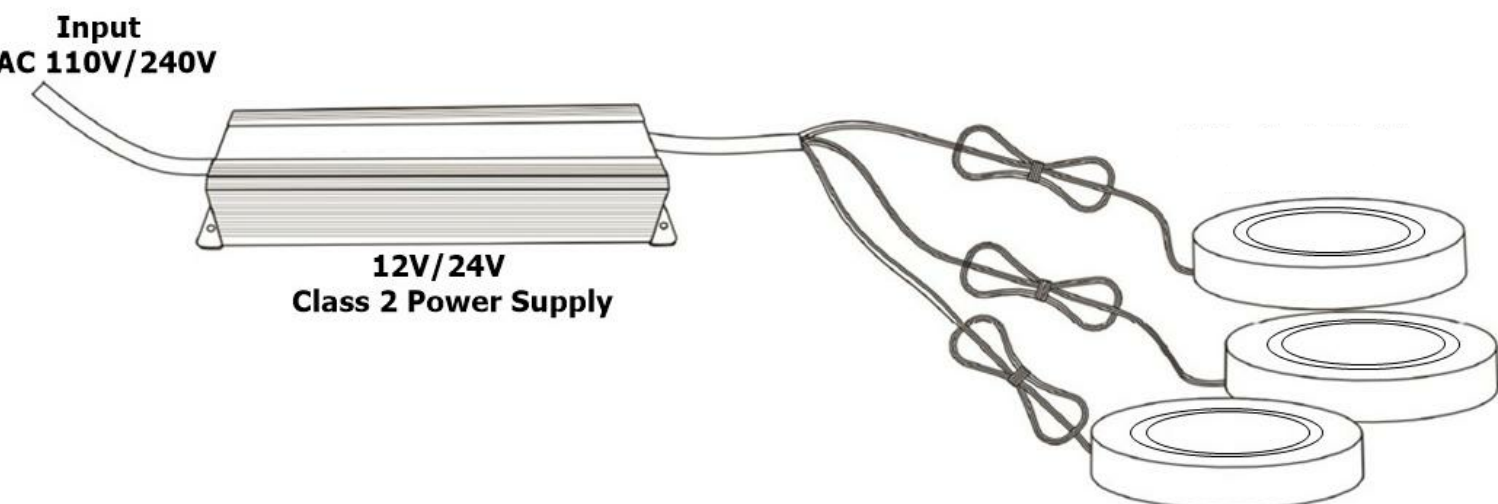
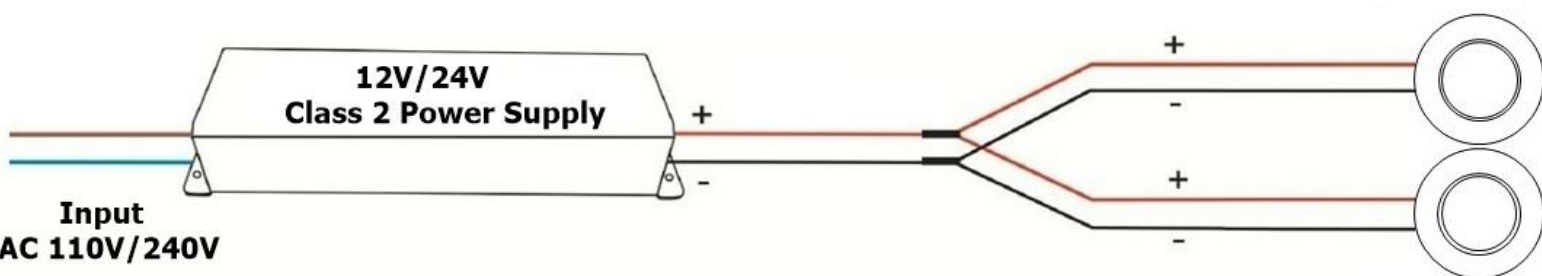


Recessed Mounted



Surface Mounted

POWER CONNECTION:



IMPORTANT NOTICE:

The total power consumption of the lights connected should be less than 90% of the max load of the power supply.